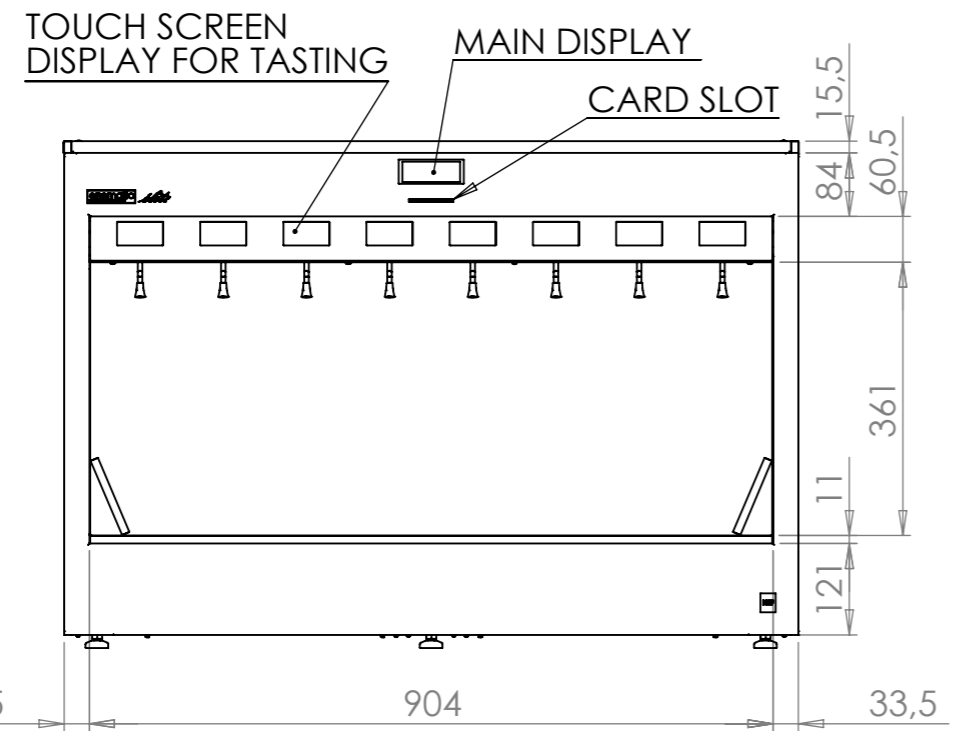
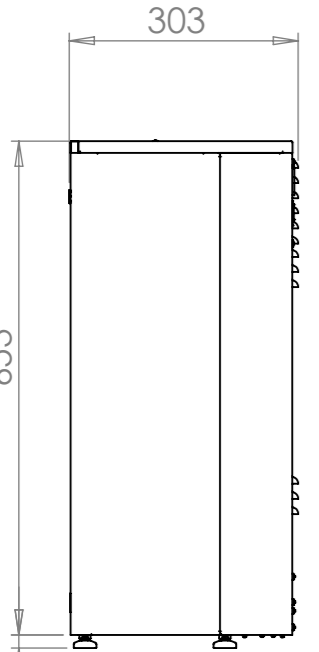


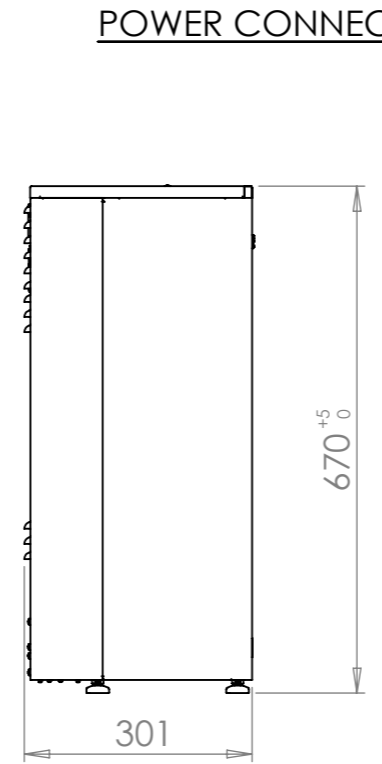
DOWN SIDE



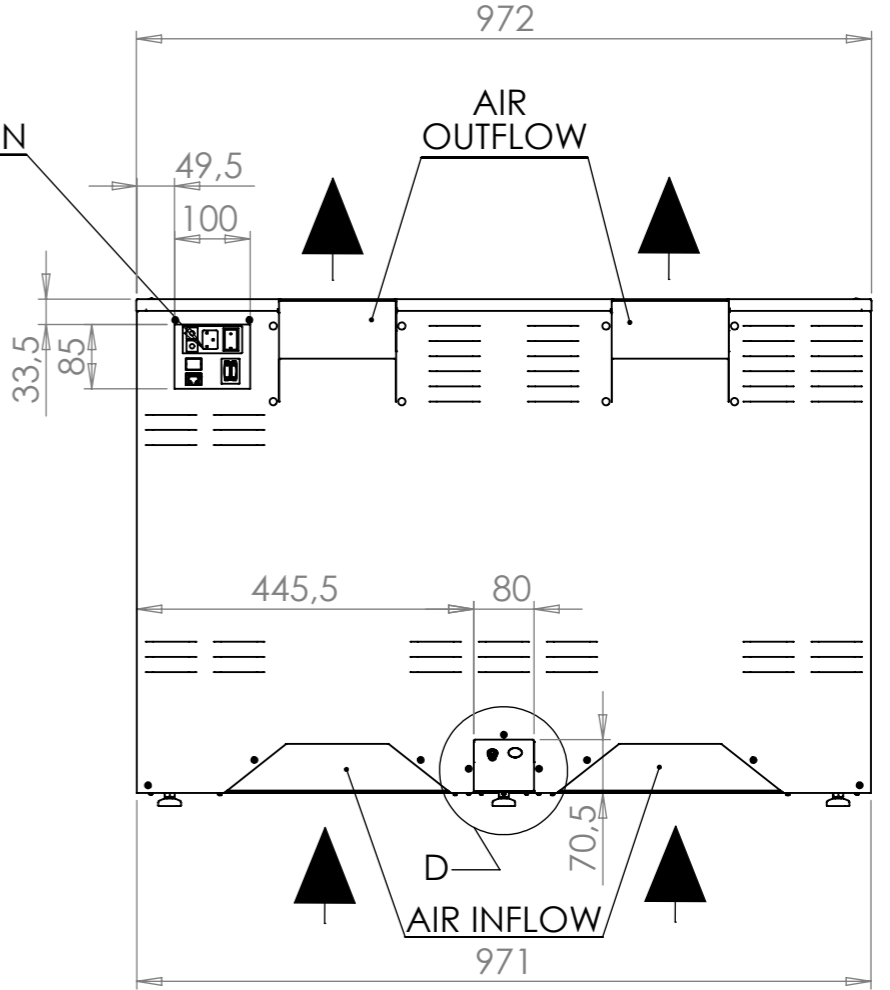
FRONT ELEVATION



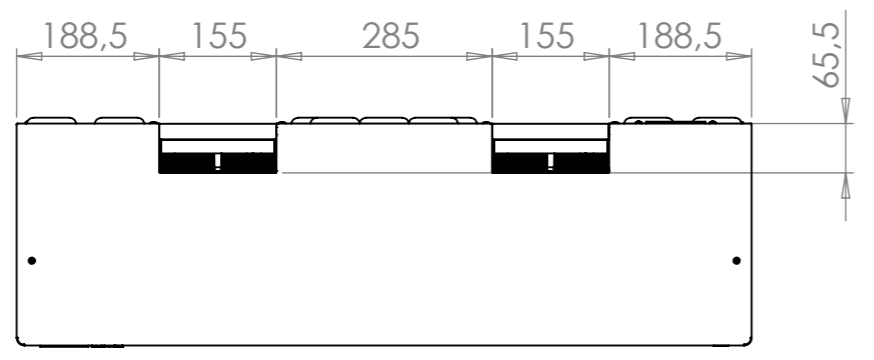
RIGHT SIDE



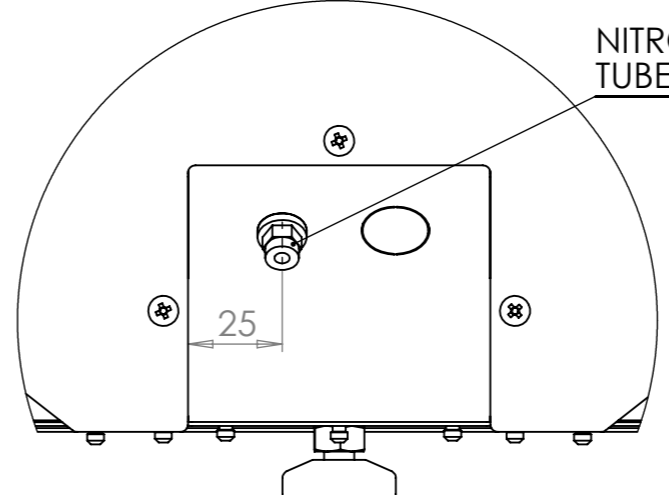
LEFT SIDE



BACK ELEVATION



TOP SIDE



DETAIL D
SCALE 1 : 2

NOTE
-ALL DIMENSION IN mm

PROPRIETARY AND CONFIDENTIAL
THE INFORMATION CONTAINED IN THIS DRAWING IS THE SOLE PROPERTY OF <INSERT COMPANY NAME HERE>. ANY REPRODUCTION IN PART OR AS A WHOLE WITHOUT THE WRITTEN PERMISSION OF <INSERT COMPANY NAME HERE> IS PROHIBITED.

0004		23/06/2009			
0005		07/07/2009			
0006		20/07/2009			
REV.	DESCRIPTION	DATE	EXECUTOR	CHK'D	APPV'D
CODE:	MATERIAL:		MATERIAL CODE:	WEIGHT Kg:	
	/				

TITLE: **ENOLINE 8 BOTTLES ELITE**

DWG NO. **EC2-YM000**

SCALE:1:10 LANGUAGE: ENGLISH FINISH: THICKNESS: SHEET 1 OF 5

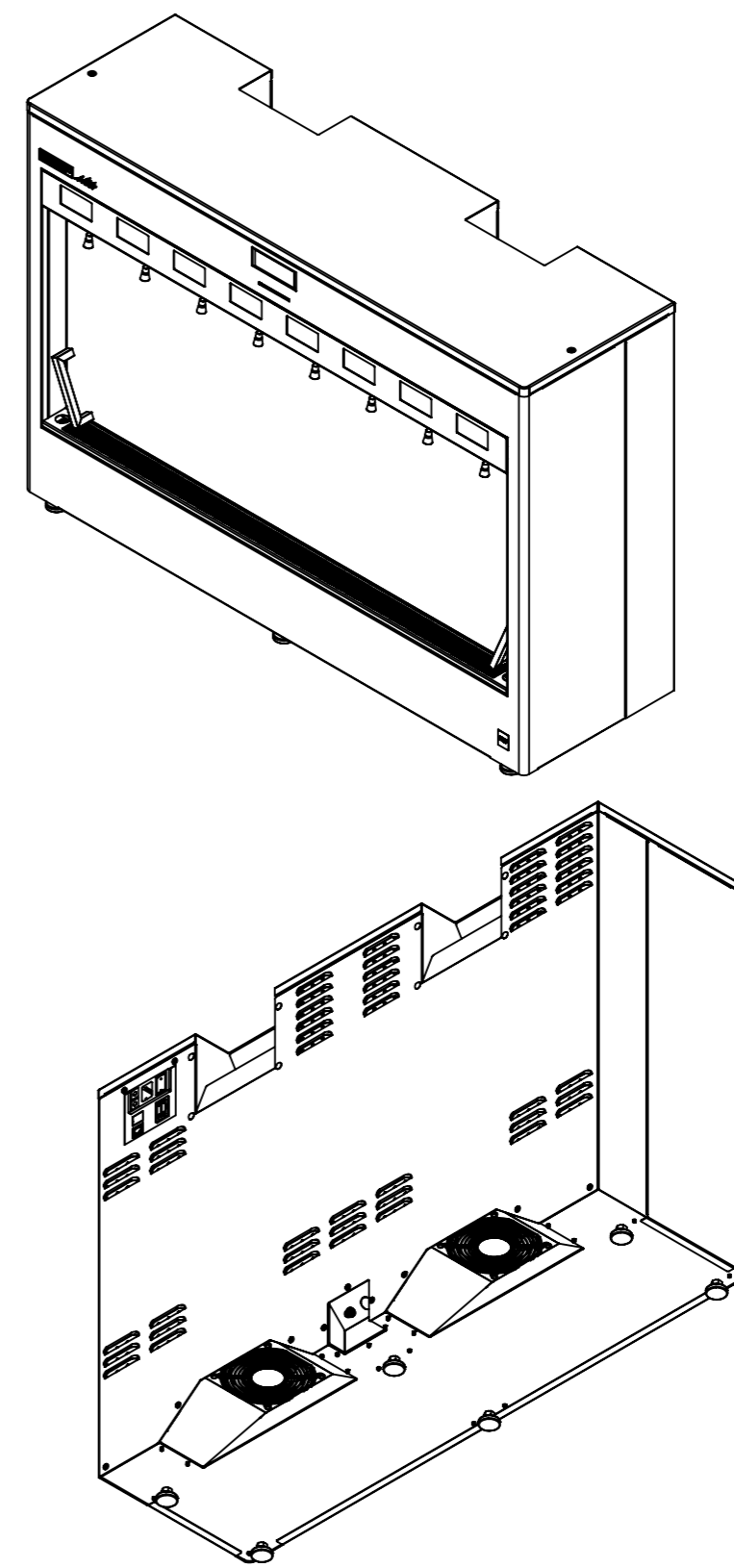
A3 REV. :0006



ENOLINE 8 BOTTLES ELITE		
SIZE (mm)	HEIGHT (MIN -MAX)	670 - 675
	WIDTH	972
	DEPTH	303
WEIGHT (Kg)	65	
FINISH MATERIALS	STAINLESS STEEL 304	
ELETRICAL FEATURES	VOLTAGE (V)	110÷220
	FREQUENCY (Hz)	60÷50
	POWER (W)	400
	FUSES	2X10 Amp
N° 2 TERMO ELETRIC MODULES		
N° 1 T.E.M. SPECIFICATION	COOLING POWER	102 W
	ELECTRIC POWER	130 W
	NOMINAL CURRENT	5.6 Amp
	INITIAL CURRENT	6.6 Amp
	VOLTAGE	24 V DC
	TEMPERATURE CONTROL	ELECTRONIC CONTROLLER
	DEFROST METHOD	AUTOMATIC VIA ELECTRONIC CONTROLLER
	METHOD OF DISPLAYNG TEMPERATURE	DIGITAL
NITROGEN (OR ARGON) GAS PRESSURE	0.16 BAR	
N° 8 ELECTRIC PISTON TO LIFT BOTTLES		
N° 1 ELECTRIC PISTON	VOLTAGE	24 V DC
	NOMINAL CURRENT	1 Amp
	MAX CURRENT	2.2 Amp
ACCEPTER BOTTLES	HEIGHT	280÷360
	Ø MAX	102

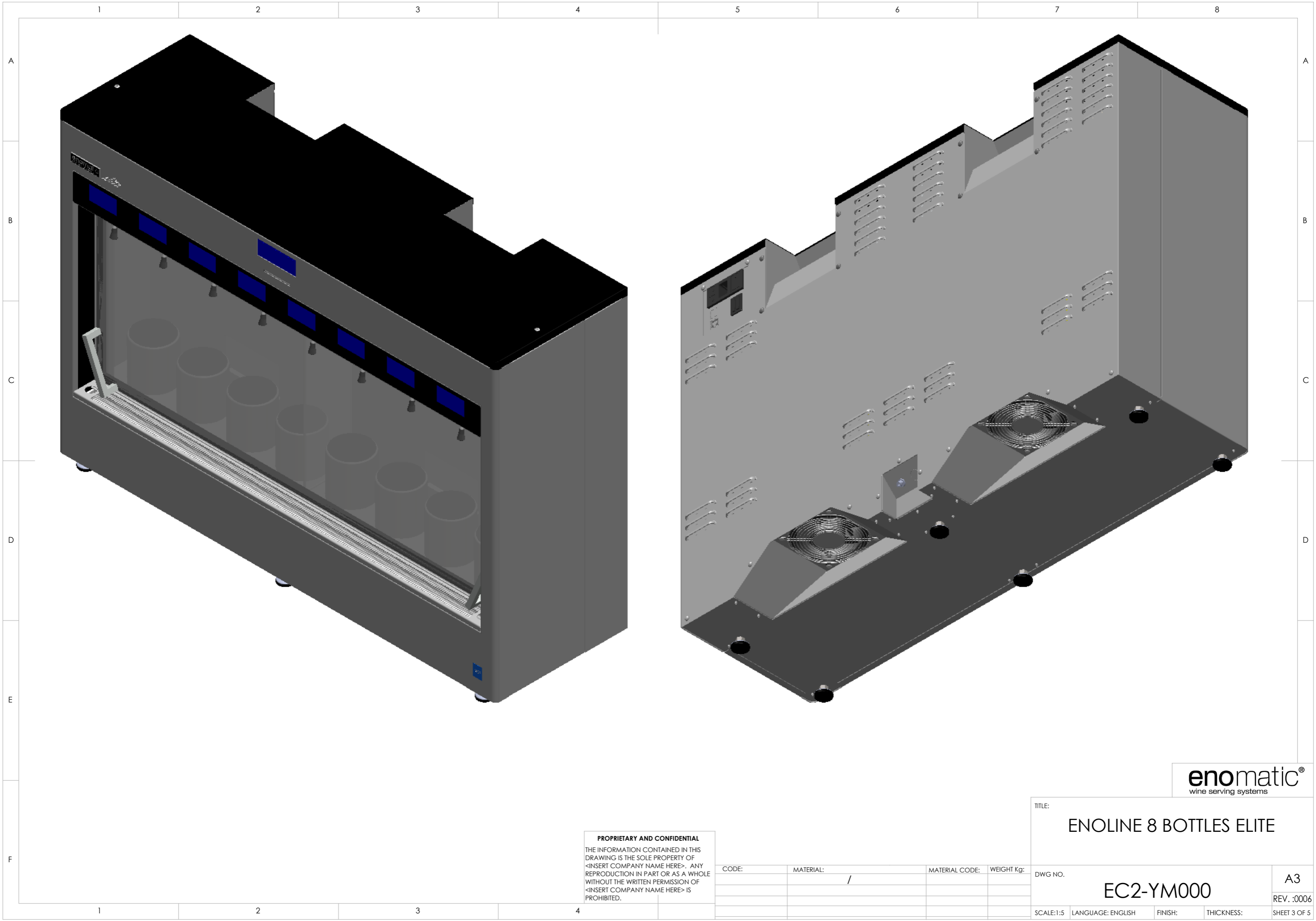
ROOM TEMPERATURE + - 0,5°C	MINIMUM TEMPERATURE REACHBLE AFTER 3 HOURS	
	C°	F°
18	5,5	41,9
20	6,2	43,2
22	6,6	43,9
24	7,0	44,6
26	7,5	45,5
28	7,9	46,2
30	8,2	46,8
32	8,8	47,8

PROPRIETARY AND CONFIDENTIAL
 THE INFORMATION CONTAINED IN THIS DRAWING IS THE SOLE PROPERTY OF <INSERT COMPANY NAME HERE>. ANY REPRODUCTION IN PART OR AS A WHOLE WITHOUT THE WRITTEN PERMISSION OF <INSERT COMPANY NAME HERE> IS PROHIBITED.



TITLE:	ENOLINE 8 BOTTLES ELITE		
DWG NO.	EC2-YM000		A3
SCALE:1:10	LANGUAGE: ENGLISH	FINISH:	THICKNESS:
			SHEET 2 OF 5

CODE:	MATERIAL:	MATERIAL CODE:	WEIGHT Kg:
	/		

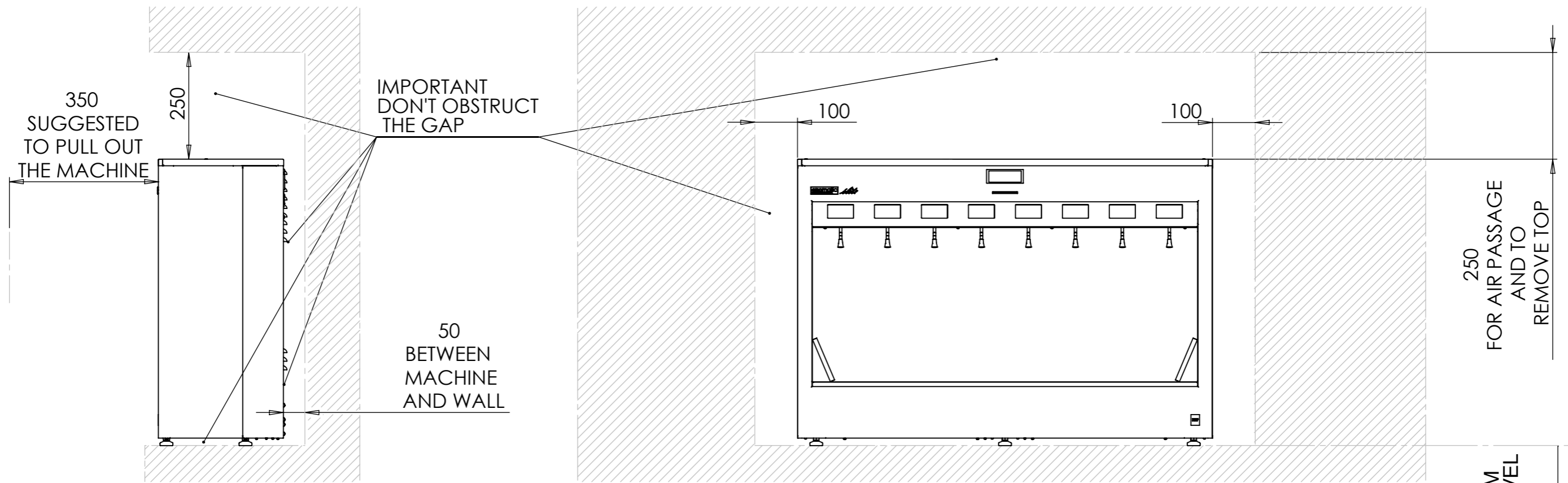


enomatic®
wine serving systems

TITLE:		ENOLINE 8 BOTTLES ELITE	
DWG NO.	EC2-YM000	A3	
SCALE:1:5	LANGUAGE: ENGLISH	FINISH:	THICKNESS:
REV. :.0006		SHEET 3 OF 5	

PROPRIETARY AND CONFIDENTIAL
THE INFORMATION CONTAINED IN THIS DRAWING IS THE SOLE PROPERTY OF <INSERT COMPANY NAME HERE>. ANY REPRODUCTION IN PART OR AS A WHOLE WITHOUT THE WRITTEN PERMISSION OF <INSERT COMPANY NAME HERE> IS PROHIBITED.

CODE:	MATERIAL:	MATERIAL CODE:	WEIGHT Kg:
	/		



RIGHT SIDE

FRONT ELEVATION

250
FOR AIR PASSAGE
AND TO
REMOVE TOP

MIN. REQUIRED
DISTANCE FROM
THE FLOOR LEVEL
900-1000 mm

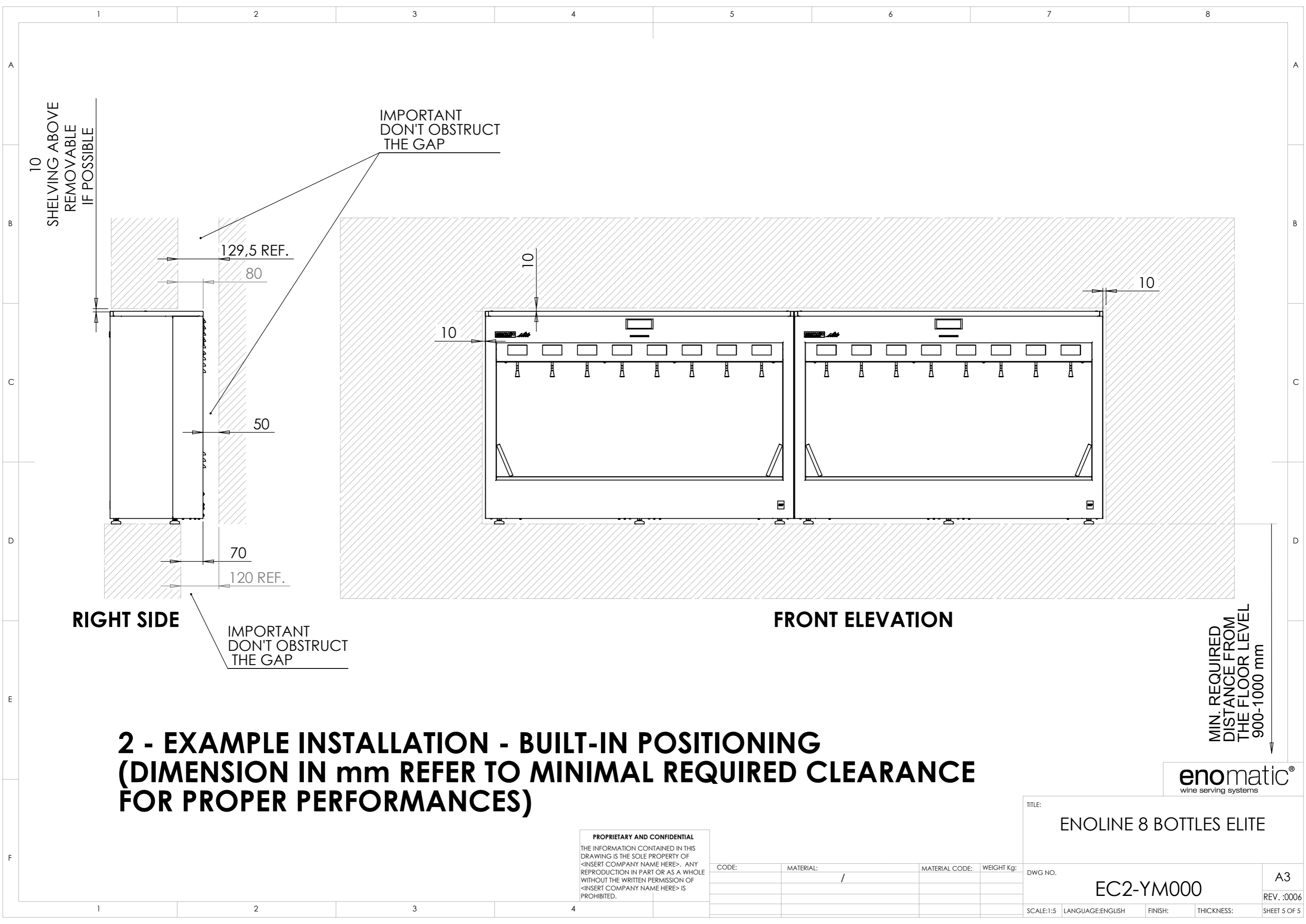
**1 - EXAMPLE INSTALLATION - POSITIONING IN FORESEEN BOX
(DIMENSION IN mm REFER TO MINIMAL REQUIRED CLEARANCE
FOR PROPER PERFORMANCES)**



TITLE:		ENOLINE 8 BOTTLES ELITE	
DWG NO.	EC2-YM000	A3	
SCALE:1:5	LANGUAGE: ENGLISH	FINISH:	THICKNESS:
		SHEET 4 OF 5	

PROPRIETARY AND CONFIDENTIAL
THE INFORMATION CONTAINED IN THIS DRAWING IS THE SOLE PROPERTY OF <INSERT COMPANY NAME HERE>. ANY REPRODUCTION IN PART OR AS A WHOLE WITHOUT THE WRITTEN PERMISSION OF <INSERT COMPANY NAME HERE> IS PROHIBITED.

CODE:	MATERIAL:	MATERIAL CODE:	WEIGHT Kg:
	/		



10
SHELVING ABOVE
REMOVABLE
IF POSSIBLE

IMPORTANT
DON'T OBSTRUCT
THE GAP

129,5 REF.

80

50

70

120 REF.

10

10

10

RIGHT SIDE

IMPORTANT
DON'T OBSTRUCT
THE GAP

FRONT ELEVATION

MIN. REQUIRED
DISTANCE FROM
THE FLOOR LEVEL
900-1000 mm

**2 - EXAMPLE INSTALLATION - BUILT-IN POSITIONING
(DIMENSION IN mm REFER TO MINIMAL REQUIRED CLEARANCE
FOR PROPER PERFORMANCES)**



PROPRIETARY AND CONFIDENTIAL
THE INFORMATION CONTAINED IN THIS
DRAWING IS THE SOLE PROPERTY OF
<INSERT COMPANY NAME HERE>. ANY
REPRODUCTION IN PART OR AS A WHOLE
WITHOUT THE WRITTEN PERMISSION OF
<INSERT COMPANY NAME HERE> IS
PROHIBITED.

CODE:	MATERIAL:	MATERIAL CODE:	WEIGHT Kg:
	/		

TITLE: ENOLINE 8 BOTTLES ELITE	
DWG NO. EC2-YM000	A3
SCALE:1:5	LANGUAGE:ENGLISH
FINISH:	THICKNESS:
REV. :0006	
SHEET 5 OF 5	